



# REFRIGERATION

SERVING THE FOOD INDUSTRY SINCE 1951

## 37-INCH CHEST FREEZER WITH SOLID FLAT TOP

Item: 46502 Model: FR-CN-0192

*Designed to merchandise and provide increased sales of frozen novelties and seasonal specialties*



- Perfect for convenience stores, ice cream shops, supermarkets, and/or restaurants
- Hinged lid design enables it to stay open while consumers are loading / taking out items without having to hold it up for hours

- Spacious to keep your frozen products in proper food storage temperature
- Pre-coated steel interior walls
- Fits maximum of 3 baskets



**WARRANTY**  
PARTS AND LABOR



Authorized Dealer

# REFRIGERATION

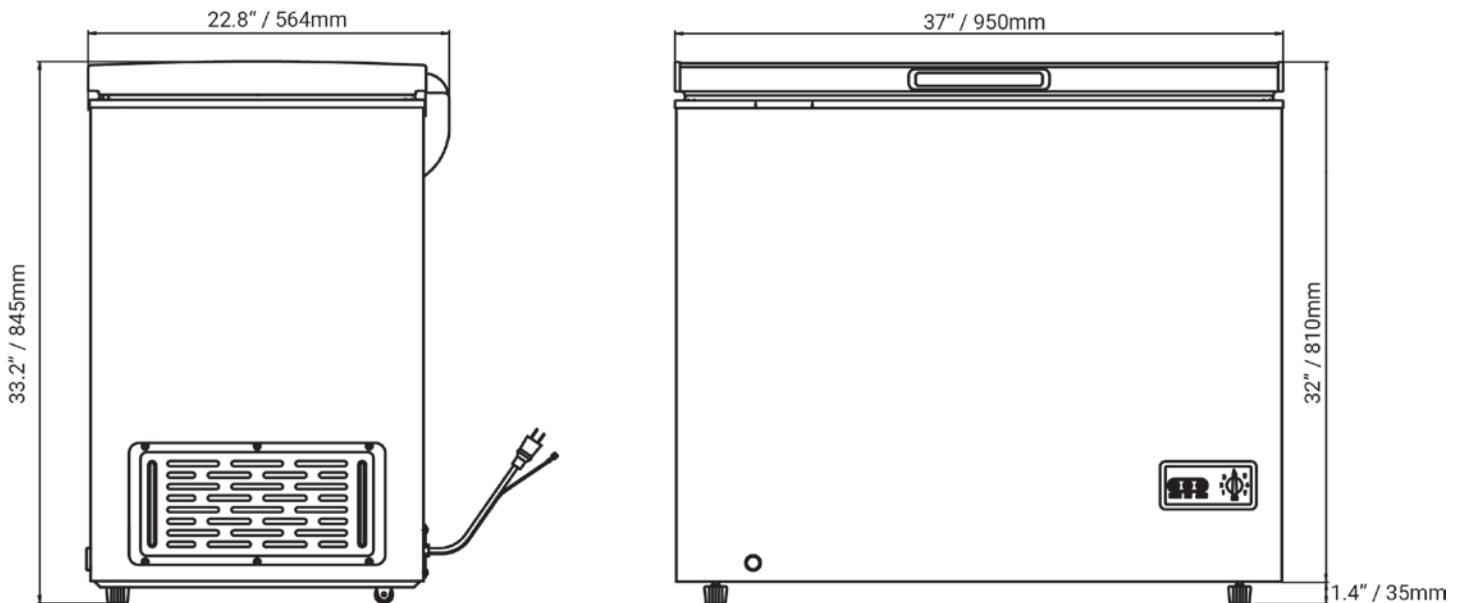
## 37-INCH CHEST FREEZER WITH SOLID FLAT TOP



### TECHNICAL SPECIFICATIONS

ITEM NUMBER	46502	DEFROST	Manual
MODEL	FR-CN-0192	FOAMING COMPONENT	Cyclopentane
CAPACITY (CU. FT.)	6.7 cu. ft.	AMP	1.4
POWER	1/6 HP	NEMA PLUG	5-15A
REFRIGERANT	R600	EXTERIOR MATERIAL	Durable white powder coated steel
TEMPERATURE RANGE	-22°C to -15°C / -8°F to 5°F	INTERIOR MATERIAL	Precoated Steel
ELECTRICAL	115V / 60Hz / 1Ph	DOOR PANEL	Solid
NUMBER OF DOORS	1	DOOR TYPE	Hinged
NUMBER OF BASKETS INCLUDED	1 (Fits maximum of 3 baskets, sold separately)	LOCK	No
EXTERIOR DIMENSIONS (WDH)	37" x 22.2" x 33.2" 950 x 564 x 845 mm	DEFROST DRAIN	Yes
GROSS DIMENSIONS	38.6" x 22.8" x 34.6" 982 x 580 x 880 mm	INTERIOR LIGHT	No
WEIGHT	77 lbs. / 35 kg.	ADJUSTABLE THERMOSTAT	Mechanical
GROSS WEIGHT	86 lbs. / 39 kg.	CASTERS (Front / Rear)	2 rollers, 2 adjustable feet
		CERTIFICATIONS	ETL, ETL SANITATION

### TECHNICAL DRAWINGS WITH DETAILED DIMENSIONS



### OMCAN INC.

Telephone: 1-800-465-0234

Fax: (905) 607-0234

E-mail: [sales@omcan.com](mailto:sales@omcan.com)

Website: [www.omcan.com](http://www.omcan.com)



Follow us to keep up to date  
with the latest news and offers

